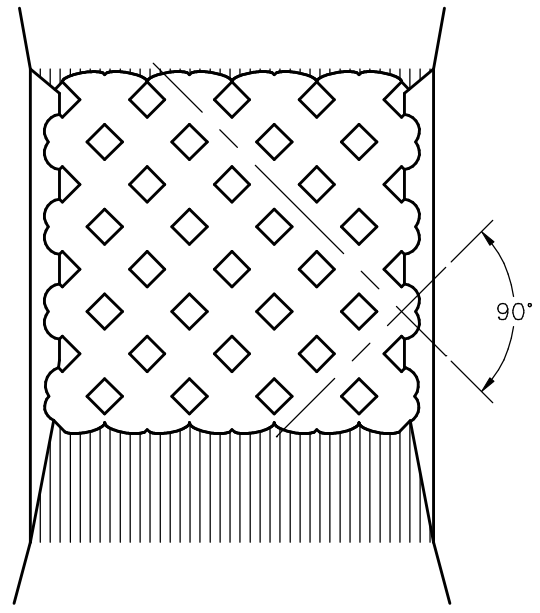
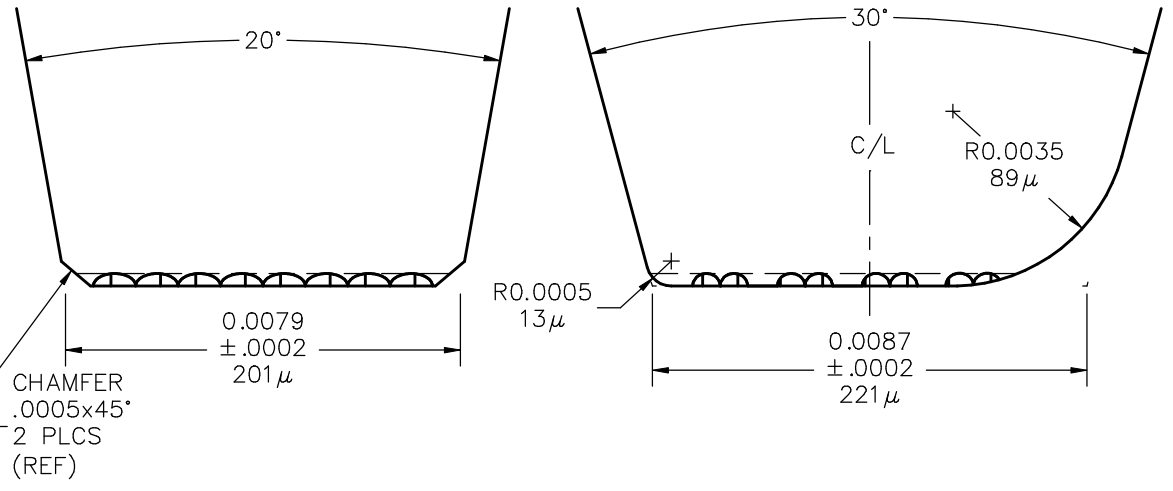
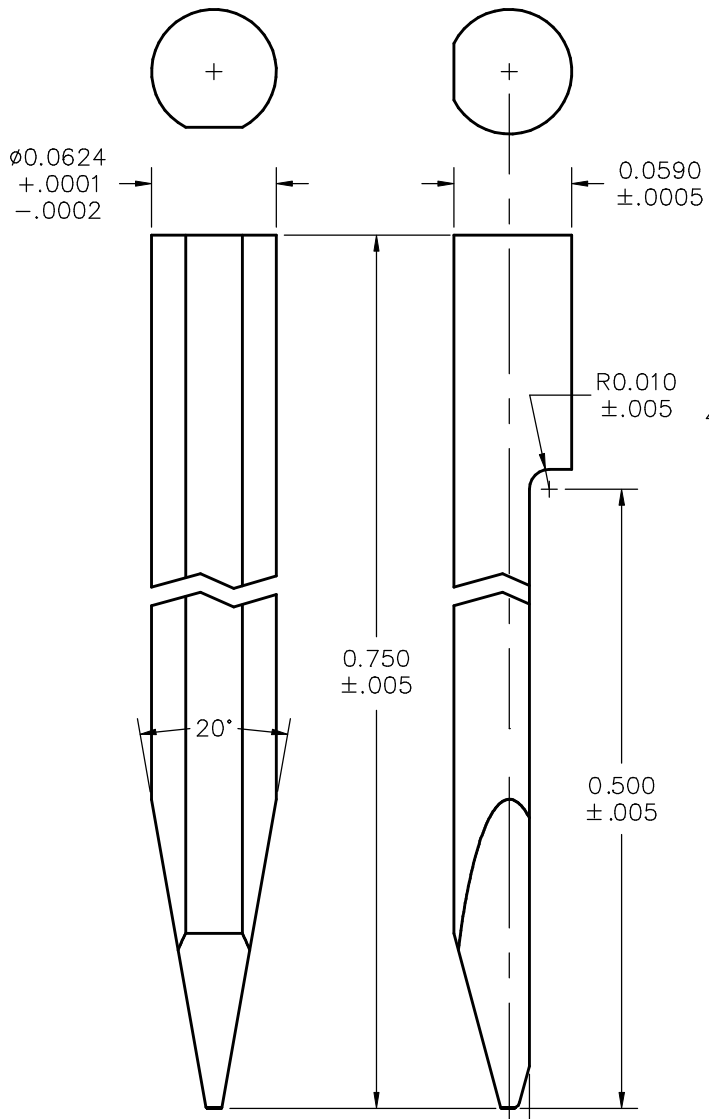


REVISION	DESCRIPTION	DATE
Rev. Ø	AS ISSUED	11/30/00



GAISER TOOL CO.
CONTROLLED DOCUMENT

THIS DOCUMENT CONTAINS
PROPRIETARY INFORMATION
AND SHALL NOT BE DISCLOSED
TO OTHERS FOR ANY PURPOSE.

L=.750
SD=.0624
SDF=.0590
T=.0087
W=.0079
FR=.0005
BR=.0035

0.010
+.000
-.002

TOLERANCE IS CATALOG STANDARD UNLESS OTHERWISE SPECIFIED		GAISER TOOL CO. 4544 M ^c GRATH VENTURA CA. 93003			
DRAWN BY ROR/RAM	CHECKED BY				TITLE CUSTOM CERAMIC TAB BONDING WEDGE GAISER TOOL CO - VENTURA CA
PRODUCTION ENG.		SIZE A	DATE 11/30/00	PART NO. 2T00-DWG001130	REV. Ø
PROCESS ENG.		SCALE 250X		MATERIAL AL203	FILE NO. TAB\CUST\001130
QUALITY ENG.					
SALES ENG.					